



# INSTRUCTION MANUAL HƯỚNG DẪN SỬ DỤNG

Model: MI 593W  
MI 593B

[www.mallica-shop.com](http://www.mallica-shop.com)



To avoid the risk of accidents or damage to the appliance it is essential to read these instructions before it is installed and used for the first time.

Để tránh nguy cơ tai nạn hoặc thiệt hại cho thiết bị, quý khách cần đọc kỹ hướng dẫn trước khi lắp đặt và sử dụng.



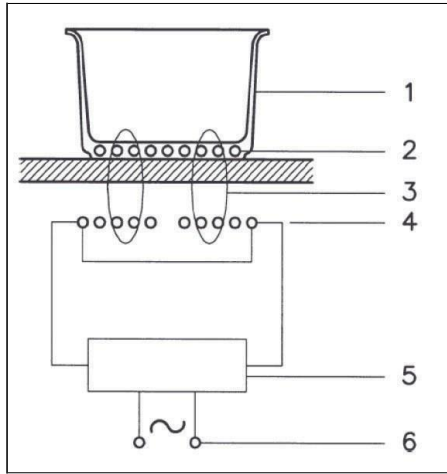


Fig. 1

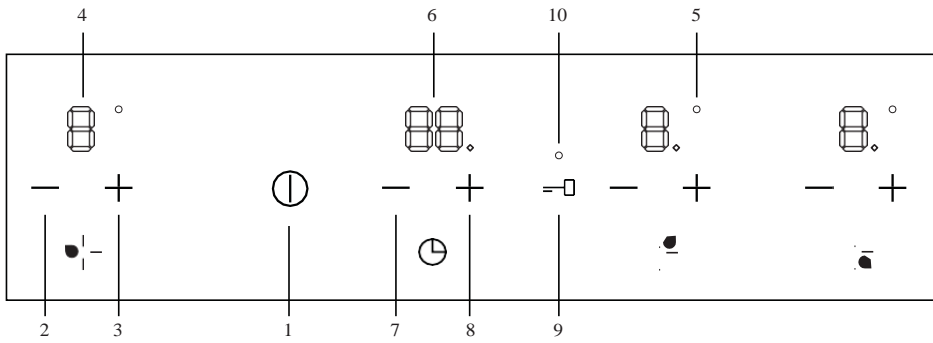


Fig 2

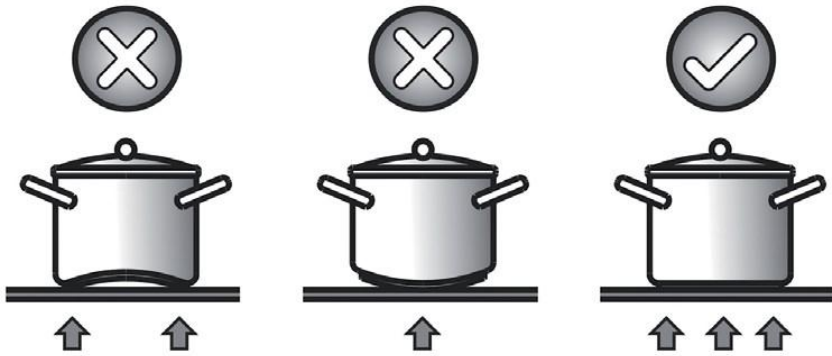
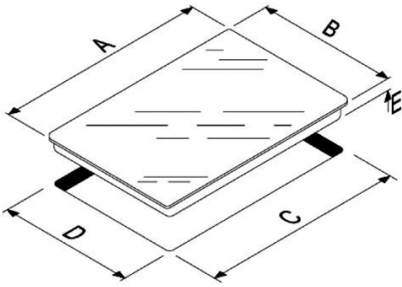


Fig 3



A	B	C	D	E
590	520	545	490	63

Fig 4

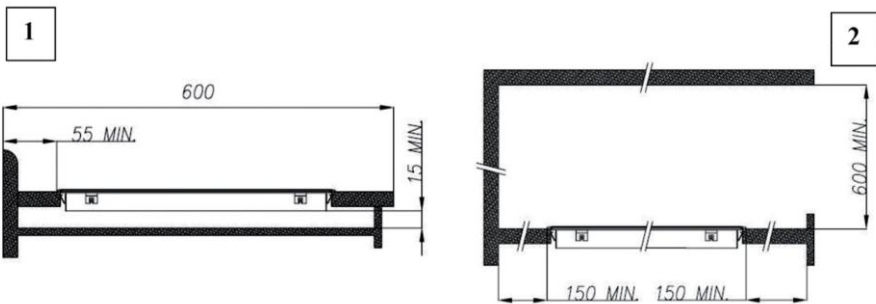


Fig 5

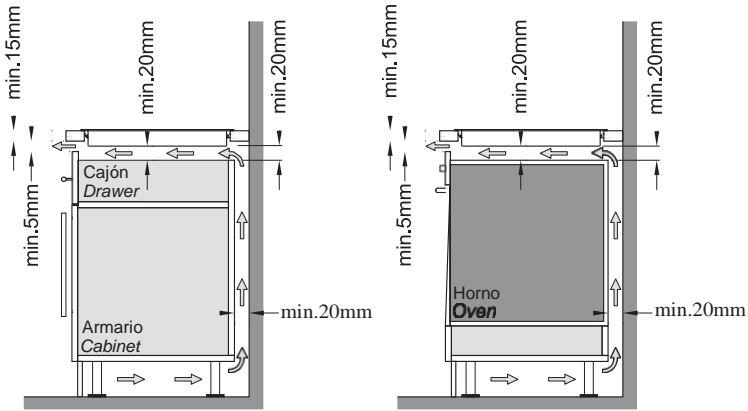


Fig. 6

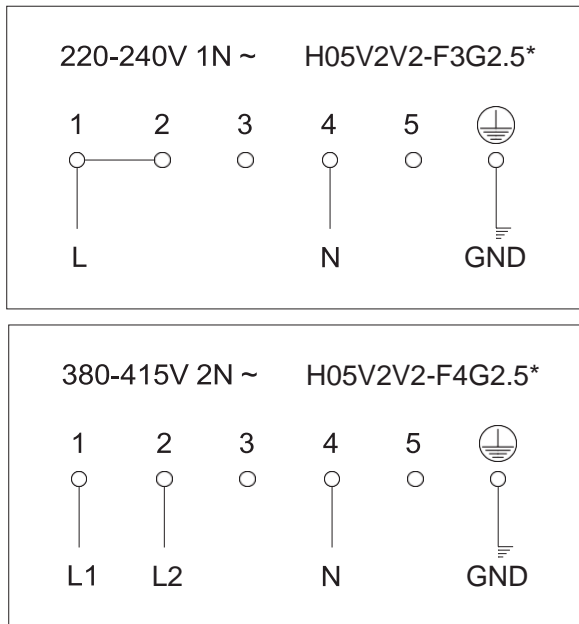


Fig. 7

**THIS APPLIANCE IS CONCEIVED FOR DOMESTIC USE ONLY. THE MANUFACTURER SHALL NOT IN ANY WAY BE HELD RESPONSIBLE FOR WHATEVER INJURIES OR DAMAGES ARE CAUSED BY INCORRECT INSTALLATION OR BY UNSUITABLE, WRONG OR ABSURD USE.**

The manufacturer declares that this product meets all the essential requirements for low voltage electrical material set out in European directive 2006/95/EEC of 12 December 2006 and for electromagnetic compatibility as required by European directive 2004/108/EEC of 15 December 2004.

### **PRECAUTIONS**

- When the hob is in use keep all magnetizable objects away (credit cards, floppy disks, calculators and so on).
- Do not use any aluminium foil or place any foodstuffs wrapped in aluminium foil directly on the hob - do not place any metal objects such as knives, forks, spoons and lids on the hob surface as they will heat up.
- When cooking in a non-stick pan without seasoning, do not exceed 1-2 minutes' pre-heating time.
- When cooking food that may easily stick, start at a low power output level and then slowly increase while regularly stirring.
- After cooking is finished, switch off using the control provided (turn down to "0"), and do not rely on the pan sensor.
- If the surface of the hob is damaged, immediately disconnect the appliance from the mains to prevent the possibility of electric shock.
- Never use a steam cleaner to clean the hob.
- The appliance and accessible parts may be hot during operation.
- Take care to avoid touching the heating elements.
- Children less than 8 years of age should be kept at a safe distance unless continuously supervised.
- This appliance may be used by children aged 8 or over and by persons with reduced physical, sensory or mental capabilities or lack of experience and knowledge, if they are supervised and have received suitable instructions on safe use of the appliance and understand the dangers involved. Children must not play with the appliance. User maintenance and cleaning should not be carried out by children except under constant supervision.
- Cooking with grease or oil may be dangerous and cause a fire if left unattended. NEVER try to extinguish a fire with water. Rather, disconnect the appliance and then cover the flames with a cover or sheet, for example.
- Fire hazard: do not store elements on cooking surfaces.
- Only counter top protectors designed for use with the cooking appliance and listed in the manufacturer's instructions should be used as suitable protection for the counter top incorporated in the appliance. Use of unsuitable protectors may cause accidents.

**WARNING:** Accessible parts will become hot when in use. To avoid burns and scalds children should be kept away.

Insert in the fixed wiring a mean for disconnection from the supply mains having a contact separation in all poles that provide full disconnection under overvoltage category III conditions, in accordance with the wiring rules. The plug or omnipolar switch must be easily reached on the installed equipment.

This appliance is not intended to be used via an external timer or a remote control system.

The manufacturers decline any responsibility in the event of non-compliance with what is described above and the accident prevention norms not being respected and followed.

**To avoid all risk, if the power cable becomes damaged, it must only be replaced by the manufacturer, by an authorized service center, or by a qualified electrician.**

### **Operating principle (Fig.1)**

It exploits the electromagnetic properties of most cooking vessels.

The coil (inductor) which produces the electromagnetic field is operated and controlled by the electronic circuit.

The heat is transmitted to food by the cooking vessel itself. The cooking process takes place as described below.

Loss of heat is minimum (high efficiency)

The system stops automatically when the vessel is removed or even just lifted from the hob.

The electronic circuit guarantees maximum flexibility and fine adjustments.

1. Vessel
2. Induced current
3. Magnetic field
4. Inductor
5. Electronic circuit
6. Power supply

### **User's Instructions Installation**

All operations relative to installation (electric connection) should be carried out by skilled personnel in conformity with the rules in force.

As for the specific instructions see part pertaining to ins- taller.

### **Use Touch control (Fig.2)**

1. ON/OFF
2. Down –
3. Up +
4. Power level display
5. Timed zone indicator LED
6. Timer display
7. Down - timer.
8. Up + timer.
9. Safety lock
10. Safety lock indicator LED

### **Switching the Touch Control ON/OFF “Z”**

After mains voltage is applied the control initializes for approx. 1 second before it is ready for operation.

After a reset all displays and LEDs glow for approx. 1 second. When this time is over all displays and LEDs extinguish and the control is in the stand-by mode. Safety lock is activated and the safety lock indicator LED is illuminated (11).

Before turning on the hob and operating the controls, press the safety lock button (10) for two seconds to unlock the keypad for normal operation.

Press the ON/OFF (1) button to switch the touch control on. The cooking zone displays show a static “0”.

If a cooking zone is in the “hot” status, the display shows a static “H” instead of “0”.

After switching-ON the electronic control remains activated for 10 seconds. If no cooking zone or timer selection follows within this period of time, the electronic control automatically switches back into the

stand-by-mode. The control can only be switched ON if it identifies the ON/OFF (1) key alone being operated. Should it recognize ON/OFF (1) key activation other than that, the control remains in the standby- mode.

If the child safety feature is active when switching on, the Safety lock indicator (11) lights up. When the Touch Control is ON it can be switched- OFF at any time by operating the ON/ OFF (1) key. This is also valid if the control has been locked (activated child safety feature).

The ON/OFF (1) key has always priority in the switch-OFF function.

### **Automatic Switch Off**

When the control is ON it automatically switches-OFF after 10 seconds if no cooking zone or select key has been operated within this period of time. If no pan is placed on a cooking zone after selecting a power level for that area on the hob, it will automatically turn off after 1 minute.

### **Switching a cooking zone ON and OFF**

First place the pan in the chosen cooking zone. If the pan is not present the system cannot be switched on the correspondent zone.



1. When the touch control is on, a cooking zone may be selected by pressing the UP + (3) or DOWN - (2) buttons on the corresponding area.
2. The display (5) for the chosen cooking zone will show the selected power level.
3. If the cooking zone is “hot”, “H” and “0” are alternately displayed.
4. Press the PLUS (3) or MINUS (2) button to select a setting and the zone will begin to heat up.
5. Once the cooking zone has been selected, the setting can be selected by keeping the PLUS (3) button pressed down. The setting begins at level 1 and increases by 1 level every 0.4 seconds. When setting “9” is reached, the setting will not be changed further.
6. If the setting level has been selected using the MINUS (2) button, the start level is “9” (maximum level). Keep the button pressed down to lower the active level by 1 every 0.4 seconds. When setting “0” is reached, there will be no further setting changed. The setting can only be changed by pressing the MINUS (2) or PLUS (3) button again.

### **Switching a cooking zone off**

Pressing the UP (3) and DOWN (2) buttons at the same time will reset the power level to 0. Alternatively, the MINUS button (2) can be used to reduce the setting level to 0. If a cooking zone is “hot”, “H” and “0” will be alternately displayed.

### **Switching-OFF all cooking zones**

Pressing the ON/OFF (1) button at any time will cause all cooking zones to switch off immediately. In the standby- mode an “H” appears on all cooking zones which are “hot“. All other cooking zone displays are not illuminated.

### **Wattage settings**

The output of the cooking zones can be set in 9 steps which are indicated by the figures “1” thru “9” by means of LED displays.

### **Boost function**

The booster function can be activated for the required cooking zone by selecting power level 9 and then pressing the UP (3) button. By means of this function certain cooking zones are enabled to receive power over the nominal (the number of boost able cooking zone depends on the power available on a partial modules which is to be less than total hob power). If the desired cooking zone has the capacity to activate the booster, the display shows a “P” symbol. If there is insufficient available power, the power



level indicator for the cooking zone that needs to automatically reduce power will display “r” for 3 seconds, following which the power level will decrease to the previous setting.

The boosting time is limited to 10 min to protect cooking utensils. After the booster is switched off automatically, the cooking zone continues operation on power level “9”. The booster can be reactivated after some minutes.

In case that the pan is removed from the cooking zone during boosting, the boosting function remains active and boosting time continues.

**Residual heat indicator**

It is meant to indicate to the user that the glass ceramic has a dangerous touch temperature in the circumference of a cooking zone. The temperature will be determined following a mathematical model and the remaining residual heat will be indicated by means of “H” on the corresponding display.

Heating-up and cooling down will be calculated dependent on:

- The selected setting („0“ to „9“)
- The ON/OFF time.

After switching-OFF the cooking zone the respective display shows “H” until the assigned cooking zone temperature is mathematically in a uncritical level. (<60°C).

**Automatic power OFF function (operating time limitation)**

Dependent on the selected setting, every cooking zone will be switched-OFF after a defined maximum operation time if no operation of the assigned cooking zone follows within this time period. Every change of the cooking zone condition (by means of the PLUS-, MINUS- key) puts back the maximum operation time of this cooking zone to the initial value of the operating time limitation.

**Protection against unintended switching-ON**

If the electronic control realizes a continuous operation of keys for approx. 10 seconds, it switches OFF automatically.

If no cooking zone is activated within 10 seconds of switching on the touch control, this will revert to stand-by status.

When the control is switched- ON the ON/OFF key has priority over all other keys, so that the control can be switched-OFF anytime, even in case of multiple or continuous operation of keys.

In the stand-by mode a continuous operation will not be signalized. However, before the electronic control can be switched ON again, it has to recognize that all keys are not operated.

**Key lock (child safety feature)**

**Child safety feature:**

**Key lock:**

To activate the child safety lock after switching on the touch control, press the safety lock button (10) for 1 second and the safety lock indicator LED will illuminate (11).

The safety lock function may be activated either when cooking zones are active or when the appliance is fully switched off.

The electronic control remains in a locked condition until it gets unlocked, even if the control has been switched-OFF and -ON in the meantime. Also a reset of the control (after a voltage drop) does not cancel the key lock.

Unlocking for cooking purposes:

To unlock the touch control, press the safety lock button (10) for 1 second and the safety lock indicator LED will be extinguished (11).

**Audible signal (buzzer)**

While the control is in operation the following activities will be signaled by means of a buzzer:

- Normal key activation with a short sound signal.
- 3 short acoustic signals (beeps) for turning off the touch control.

## Timer function

The timer function works as follows:

Timer function for a selected cooking zone, from 1 to 99 min: at the end of the set time, an acoustic signal will be emitted and the timed zone will be turned off. All three cooking zones may be programmed independently to different timer settings. During the last minute of the set time, the timer display (7) will show the time remaining in seconds.

## Timer programming on cooking zones

Activate the timer by pressing UP TIMER (9) or DOWN TIMER (8). The timer display will show “00” (7) and the symbol “t” will appear on the power level displays for each cooking zone for which the timer is being set.

Press the power level UP (3) or DOWN (2) button on the cooking zone to be timed; the desired zone is selected and the timer indicator LED illuminates (6) for the selected zone.

Having selected the zone to be timed, press UP TIMER (8) or DOWN TIMER (9) to select a time between 1 and 99 minutes.

Holding the time selection buttons pressed will cause the time to increase or decrease more quickly.

If no cooking zone is selected for the timer function within 5 seconds, the timer function will be automatically deactivated.

After selecting the cooking zone to be timed, the time must be selected within 5 seconds; otherwise, the timer function will be automatically deactivated.

The selected time will start 5 seconds after setting the timer. The timer setting can be modified during timer cycle by pressing the buttons UP TIMER (9) or DOWN TIMER (8). The new timer setting will start 5 seconds after programming the new timer setting.

To deactivate the timer function at any time press simultaneously the UP TIMER (9) and DOWN TIMER (8). Pressing the DOWN TIMER (8) button until the timer display (7) shows “00” also deactivates the timer function.

When the set time has elapsed, the selected cooking zone will switch off and the timed zone indicator (6) and time indicator (7) LEDs will illuminate intermittently while a warning beep will sound for 1 minute. To cancel this acoustic warning before the set time has elapsed, press any button on the touch control.

## Cooking vessels (Fig. 3)

- A magnet-attracting vessel may be a suitable vessel for induction cooking prefer vessels which are especially declared to be suitable for induction cooking flat- and thick bottomed vessels
- A vessel with the same diameter as zones ensures the maximum exploitation of power
- A smaller vessel reduces power exploitation, but does not cause any energy loss We would anyhow not recommend the use of vessels with diameters smaller than 10 cm.
- Stainless steel vessels with multi-layer or ferritic stainless- steel bottoms when specifically suited for induction cooking.
- Cast-iron preferably enamel-bottomed vessels to avoid scratching the pyroceram surface.
- We do not recommend the use of any glass, ceramic, earthenware, aluminium, copper or non-magnetic (austenitic) stainless steel vessels.

## Maintenance

Any remains of aluminium foil, food, fat, sugar or food with high sugar content must be immediately removed from the hob surface to prevent potential damage to the hob surface.

Subsequently clean the surface with some towel and appropriate product, rinse with water and dry by means of a clean cloth. Under no circumstance should sponges or abrasive cloths be used; also avoid using aggressive chemical detergents such as oven sprays and spot removers.

## **Installer's Instructions**

### ***Installation***

These Instructions are for the qualified technician, as a guide to installation, adjustment and maintenance, according to the laws and standards in force. These operations must always be carried out when the appliance has been disconnected from the electric system.

### ***Positioning (Fig. 4, 5 and 6)***

1. Front view
2. Front side

The fixture is especially designed for fitting into a work-top as shown in the corresponding figure.

Place the supplied sealing agent along the hob perimeter.

Do not install the hob over an oven; in case you do, make sure of the following:

- the oven is equipped with an appropriate cooling system
- there is no warm-air leakage from the oven towards the hob
- Suitable air-inlets are provided as shown in the figure.

### ***Electrical connection (Fig. 7)***

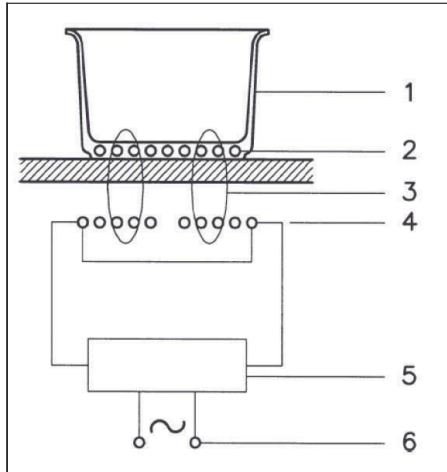
Prior to carrying out the electrical connection, please ensure that:

The plant characteristics are such as to follow what is indicated on the matrix plate placed at the bottom of the working area;

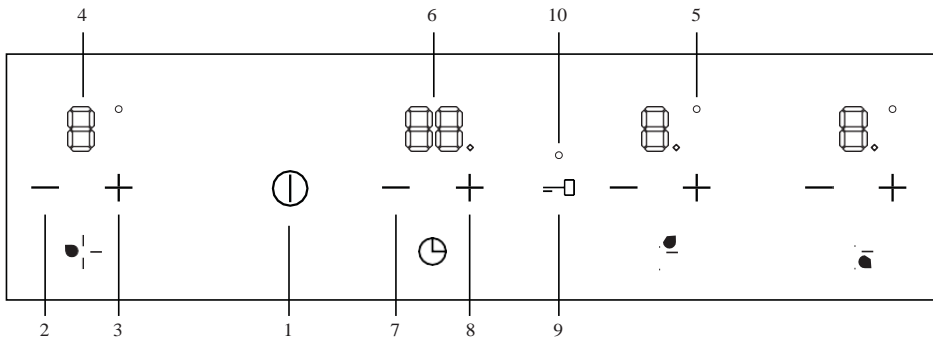
That the plant is fitted with an efficient earth connection, following the standards and law provisions in force.

The earth connection is compulsory in terms of the law.

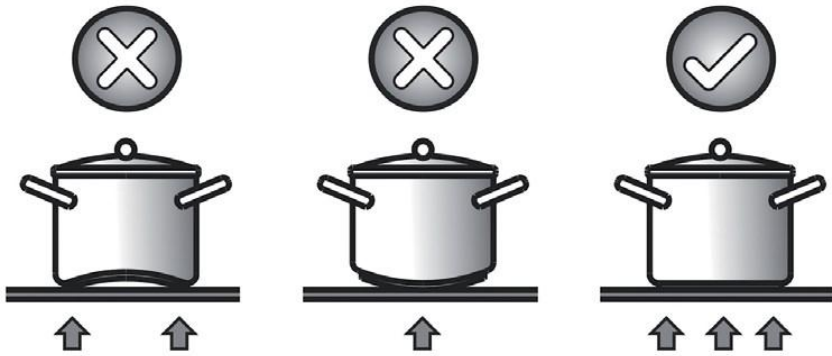
Should there be no cable and/or plug on the equipment, use suitable absorption material for the working temperature as well, as indicated on the matrix plate. Under no circumstance must the cable reach a temperature above 50°C of the ambient temperature.



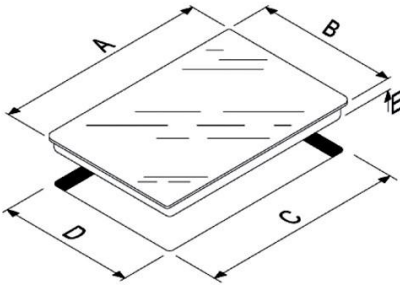
Hình 1



Hình 2

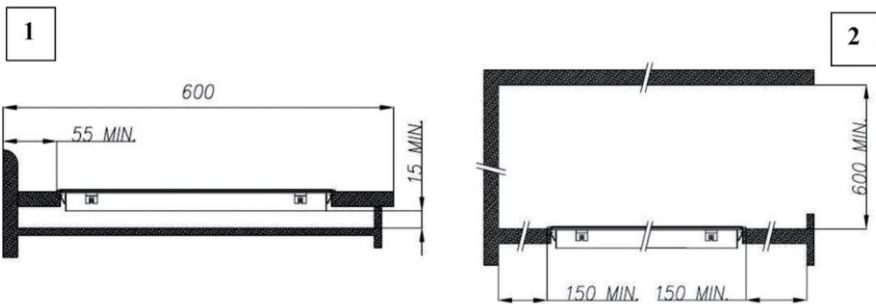


Hình 3

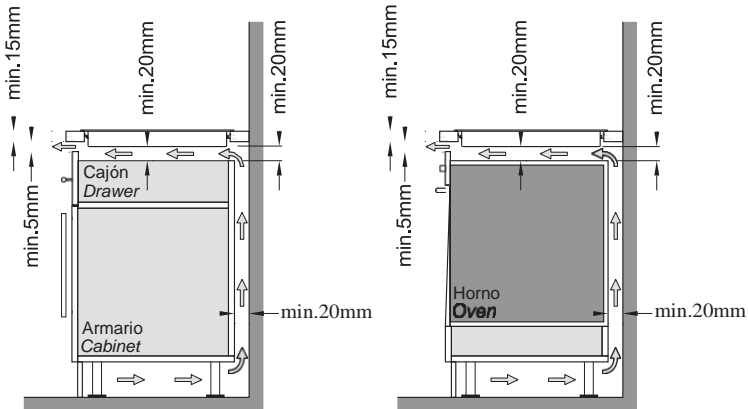


A	B	C	D	E
590	520	545	490	63

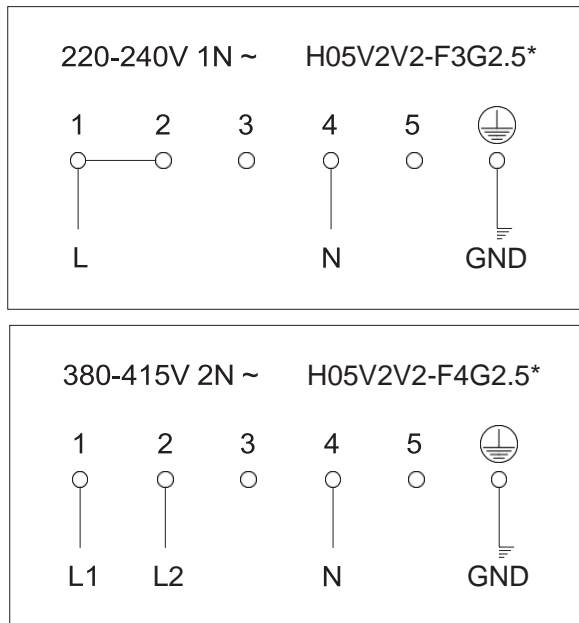
Hình 4



Hình 5



Hình 6



Hình 7

## **THIẾT BỊ NÀY CHỈ ĐƯỢC SỬ DỤNG TRONG NƯỚC. NHÀ SẢN XUẤT KHÔNG CHỊU BẤT CỨ TRÁCH NHIỆM NÀO VỀ THƯƠNG TÍCH HOẶC NGUY HIỂM DO LẮP ĐẶT KHÔNG ĐÚNG, SỬ DỤNG KHÔNG HỢP LÝ HOẶC LÀ SỬ DỤNG SAI.**

Nhà sản xuất công bố sản phẩm này đáp ứng đầy đủ yêu cầu cần thiết cho điện áp được quy định trong 2006/95/EEC ngày 12 tháng 12 năm 2016. Cho khả năng tương tích điện áp theo tiêu chuẩn châu âu 2004/108/EEC ngày 15 tháng 12 năm 2004.

### **BIỆN PHÁP PHÒNG NGỪA**

- Khi sử dụng bếp giữ các vật bị nhiễm từ ra xa (Thẻ tín dụng, thẻ ATM, đĩa mềm, máy tính cầm tay, vv..).
- Không được sử dụng bất cứ lá nhôm hoặc bọc bất cứ thức ăn bằng giấy bọc nhôm lên trên bếp
- Không đặt bất cứ vật kim loại bao gồm dao, nĩa, muỗng lên bề mặt của bếp, vì sẽ nóng gây nguy hiểm.
- Khi nấu ăn sử dụng chảo không dính, làm chảo nóng 1-2 phút rồi mới để thức ăn vào.
- Khi nấu thức ăn mà có thể dễ dàng dính, bắt đầu ở một mức công suất thấp và sau đó từ từ tăng lên.
- Sau khi nấu xong, nên tắt sử dụng bằng cách điều khiển công suất (chuyên xuống "0").
- Nếu xảy ra các sự cố trên bề mặt bếp, ngay lập tức ngắt kết nối thiết bị với nguồn điện để ngăn chặn khả năng bị điện giật.
- Không được vệ sinh bếp bằng hơi nước.
- Bếp và các bộ phận của bếp có thể nóng trong khi sử dụng.
- Cần thận tránh chạm vào bộ phận đốt nóng
- Trẻ em dưới 8 tuổi nên giữ khoảng cách an toàn trừ khi có sự giám sát của người lớn.
- Trẻ em không nên chơi đùa với thiết bị. bảo trì và vệ sinh không nên được thực hiện bởi trẻ em ngoại trừ dưới sự giám sát liên tục của người lớn.
- Thiết bị có thể được sử dụng bởi trẻ em 8 tuổi và lớn hơn. Và những người có khiếm tật vật lý, cảm quan hoặc tâm thần hoặc không có kinh nghiệm hay kiến thức cần thiết, chỉ được sử dụng khi được giám sát hoặc hướng dẫn trong việc sử dụng thiết bị bởi người chịu trách nhiệm cho sự an toàn của họ.
- Nấu ăn với dầu và mỡ có thể rất nguy hiểm và có thể bén lửa nếu không chú ý. Khi xảy ra sự cố về lửa, nhanh chóng ngắt kết nối thiết bị và trùm ngọn lửa bằng khăn phủ.
- Nguy cơ cháy: Không lưu trữ hoặc để các chất, vật dễ cháy lên trên bề mặt của bếp.
- Chỉ sử dụng bề mặt từ bếp được thiết kế để sử dụng với các thiết bị nấu ăn và được liệt kê trong danh sách ưu tiên của nhà sản xuất.
- Sử dụng mặt đá không phù hợp có thể gây nguy hiểm, tại nạn khi sử dụng.

**CẢNH BÁO:** Các bộ phận của bếp có thể nóng trong khi sử dụng. Để tránh cháy hoặc bỏng nên tránh xa tầm tay trẻ em.

- Thiết bị này không nên sử dụng thông qua bộ đếm thời gian hoặc một hệ thống điều khiển từ xa.
- Nhà sản xuất từ chối bất kỳ trách nhiệm trong trường hợp không tuân thủ với những gì mô tả ở bên trên và với các tiêu chí phòng chống tai nạn.
- Khi xảy ra sự cố về dây nguồn, hay các rủi ro khác, chỉ được sửa chữa bởi nhà sản xuất, đại lý ủy quyền và nhân viên kỹ thuật.

**Để tránh mọi rủi ro, nếu cáp điện bị hư hỏng, bạn nên thay thế bởi các nhà sản xuất, bởi đại lý ủy quyền, hoặc bởi nhân viên kỹ thuật.**

## **Nguyên tắc hoạt động (Hình 1)**

- Tận dụng hết các tính chất từ của hầu hết các nồi nấu.
- Các cuộn dây (cuộn cảm) sinh ra từ trường và được vận hành và kiểm soát bằng mạch điện tử.
- Nhiệt được truyền đến thực phẩm thông qua nồi bị nhiễm từ. Quá trình nấu ăn được diễn tả theo các bước bên dưới:
- Hệ thống sẽ tự động dừng lại khi nồi bị lấy ra hoặc thậm chí chỉ cần nâng lên nhẹ.
- Các mạch điện tử đảm bảo tính linh hoạt tối đa và hiệu chỉnh tốt.
  1. Nồi
  2. Dòng điện cảm ứng
  3. Từ trường
  4. Cuộn Dây
  5. Mạch Điện Tử
  6. Nguồn Cấp

## **Hướng dẫn sử dụng**

### **Lắp đặt**

Tất cả các hoạt động có liên quan đến lắp đặt (kết nối điện) bởi người có kỹ năng được tiến hành phù hợp với quy định hiện hành.

## **Sử dụng điều khiển cảm ứng (Hình 2)**

1. Đóng/ mở
2. Giảm
3. Tăng
4. Hiện thị mức công suất
5. Hiện thị vùng nấu
6. Hiện thị thời gian
7. Giảm thời gian
8. Tăng thời gian
9. Khóa bàn phím
10. Led hiển thị khóa bàn phím

## **Công tắc điều khiển cảm ứng On/Off “Z”**

Sau khi điện áp nguồn được kết nối cần khoảng xấp xỉ 1 giây trước khi thiết bị đi vào hoạt động.

Sau khi thiết lập lại các hiển thị và đèn led phát sáng khoảng 1 giây. Sau đó, hiển thị và đèn led tắt và điều khiển ở chế độ chờ. Khóa an toàn được kích hoạt và đèn chỉ thị khóa an toàn sáng (11).

Trước khi bật bếp nấu và điều khiển hoạt động, bấm nút khóa an toàn (10) trong vòng 2 giây để mở khóa bàn phím để được hoạt động bình thường.

Nhấn On/Off (1) để chuyển đổi điều khiển. Hiển thị khu vực nấu ăn sẽ cho thấy trạng thái “0”. Nếu khu vực nấu ăn trong tình trạng nóng, màn hình sẽ hiển thị “H” thay vì “0”.

Sau khi chuyển sang chế độ on điều khiển điện tử vẫn được kích hoạt bật trong vòng 10 giây. Nếu không có nhu cầu nấu ăn hoặc hẹn giờ trong khoảng thời gian này, thì điều khiển điện tử sẽ tự động chuyển sang chế độ chờ. Việc điều khiển sang chế độ On khi On/Off được xác định thì mới có thể vận hành. Nếu nhận ra On/Off không được kích hoạt thì điều khiển vẫn ở chế độ chờ.

Nếu tính năng an toàn trẻ em được kích hoạt khi công tắc mở, hiển thị khóa an toàn (11) sáng lên. Khi điều khiển cảm ứng bật mở có thể tắt bất cứ lúc nào thông qua nút nhấn On/Off. Điều này cũng có thể được nếu điều khiển đang bị khóa (Tính năng khóa an toàn trẻ em kích hoạt).

Phím On/Off (1) luôn luôn ưu tiên trong chế độ tắt.



## Chế độ tắt tự động

Khi bật bếp, sẽ tự động chuyển sang chế độ tắt sau 10 giây, nếu không nấu hoặc chế độ đã vận hành một khoảng thời gian đã cài đặt. Nếu không có nồi ở khu vực nấu sau khi chọn công suất, sẽ tự động tắt sau 1 phút.

## Tắt mở khu vực nấu



Đầu tiên chọn khu vực đặt chảo. Nếu nồi không phù hợp với bếp sẽ báo lỗi và không thể nấu.

1. Khi điều khiển cảm ứng mở, khu vực nấu có thể được chọn bằng cách nhấn phím chọn bằng phím Tăng + (3) hoặc Giảm - (2).
2. Màn hình hiển thị (5) cho khu vực nấu được chọn sẽ hiển thị mức công suất đã chọn.
3. Nếu vùng nấu ăn “nóng”, thì sẽ luân phiên hiển thị “H”, “0”.
4. Nhấn phím Tăng + (3) hoặc Giảm - (2) để cài đặt lựa chọn vùng nấu khác.
5. Khi đã chọn vùng nấu, cài đặt mức công suất vùng nấu bằng cách nhấn phím Tăng + (3). Mức công suất ban đầu là 1 và tăng mỗi cấp độ trong vòng 0.4s. Khi đạt đến cấp độ 9, thì không thể thay đổi. Và ngược lại, khi nhấn phím Giảm - (2), thì giảm mỗi cấp độ sau 0.4s. Khi đến cấp độ “0” thì không thể thay đổi. Cài đặt mức công suất chỉ có thể thay thế khi nhấn phím Tăng + (3) hoặc Giảm - (2).

## Tắt bếp khu vực nấu

Khi tắt bếp của khu vực nấu, hãy chọn bằng cách nhấn phím chọn Tăng (3) và Giảm (2) cùng lúc thì bếp sẽ tự động về mức công suất 0. Nếu khu vực nấu còn “Nóng”, thì sẽ luân phiên hiển thị “H” và “0”.

## Tắt bếp tất cả khu vực nấu

Nhấn On/Off (1) ở bất kỳ thời gian sẽ ngay lập tức tắt các khu vực nấu. Thể hiện chế độ chờ “H”. xuất hiện trên tất cả các khu vực nấu còn nóng. Tất cả các hiển thị khu vực nấu khác sẽ không hiển thị (chiếu sáng).

## Cài đặt công suất

Công suất của khu vực nấu có thể cài đặt 9 mức, mỗi mức hiển thị từ 1 cho đến 9 ở trên hiển thị đèn

## Chức năng tăng điện áp

Chức năng tăng điện áp có thể được kích hoạt cho khu vực nấu yêu cầu bằng cách chọn mức công suất P với phím trượt công suất (2). Có nghĩa với chức năng này khu vực nấu được kích hoạt dựa trên năng suất bếp (Điện áp của vùng nấu tùy vào công suất trên thiết bị, nó có thể nhỏ hơn so với tổng công suất của bếp). Nếu vùng nấu có chức năng tăng điện áp, màn hình hình sẽ hiển thị một biểu tượng “P”. Nếu không đủ năng suất, hiển thị mức độ năng suất của vùng nấu sẽ tự động giảm điện áp hiển thị “r” trong vòng 3 giây, sau đó mức công suất sẽ giảm so với thiết lập trước đó.

Thời gian tăng điện áp được giới hạn trong 10 phút đầu để đảm bảo đồ dùng nấu ăn. Sau khi tăng điện áp sẽ tự động tắt, khu vực nấu vẫn tiếp tục hoạt động trên mức công suất “9”. Và việc tăng điện áp có thể kích hoạt lại sau một vài phút.

Trong trường hợp đó chảo vẫn có thể di chuyển qua khu vực nấu khác, chức năng tăng điện áp vẫn tiếp tục kích hoạt và thời gian tăng điện áp vẫn tiếp tục.

## Chỉ số nhiệt dư

Đề báo cho người dùng rằng mặt kính bếp có một nhiệt độ nguy hiểm khi chạm trong chu vi của một khu vực nấu ăn.

Nhiệt độ mặt bếp sẽ được tính toán và nhiệt dư sẽ thể hiện bằng chữ "H" trên màn hình hiển thị.

Đốt nóng và giảm xuống sẽ được tính toán phụ thuộc vào:

- Tăng giảm nhiệt độ dựa vào ("0" đến "9")

- ON / OFF.

Chức năng tự động tắt công suất (thời gian hoạt động giới hạn) phụ thuộc vào các thiết lập được lựa chọn, mỗi khu vực nấu ăn sẽ được chuyển sang chế độ tắt sau một thời gian hoạt động tối đa được xác định, hoặc là không có hoạt động của khu vực nấu ăn sau trong khoảng thời gian này. Mọi sự thay đổi của các điều kiện khu vực nấu ăn cần được đặt lại, thời gian hoạt động tối đa của khu vực nấu ăn này với giá trị ban đầu của giới hạn thời gian hoạt động.

### **Bảo vệ tự động mở bếp ngoài ý muốn**

- Nếu không thấy hoạt động thực hiện trên bàn phím điều khiển điện tử xấp xỉ 10 giây thì bếp sẽ tự động chuyển sang chế độ tắt.
- Nếu vùng nấu ăn không được kích hoạt trong vòng 10 giây thì sẽ chuyển đổi điều khiển quay về chế độ chờ.
- Công tắt ON/ OFF được ưu tiên hơn tất cả các phím khác, có thể tắt bật bất kỳ lúc nào, ngay cả khi dùng nhiều phím liên tục.
- Trong chế độ chờ, mọi hoạt động sẽ không có tín hiệu đèn.

### **Khóa phím (tính năng an toàn trẻ em)**

#### *Tính năng an toàn trẻ em:*

#### **Khóa chính:**

Để kích hoạt các khóa an toàn trẻ em sau khi bật điều khiển cảm ứng, bấm nút khóa an toàn (10) trong 1 giây và hiển thị khóa an toàn LED sẽ sáng (11).

Các chức năng khóa an toàn có thể được kích hoạt hoặc khi khu nấu ăn đang hoạt động hoặc khi thiết bị đã được hoàn toàn tắt.

Việc điều khiển điện tử vẫn còn trong tình trạng bị khóa cho đến khi nó được mở khóa, thậm chí nếu điều khiển đã được chuyển sang tắt và mở trong khi chờ đợi. Ngoài việc thiết lập của kiểm soát (sau khi giảm điện áp) không hủy bỏ khóa phím.

#### **Mở khóa cho các mục đích nấu ăn:**

Để mở khóa điều khiển cảm ứng, bấm nút khóa an toàn (10) trong 1 giây và hiển thị khóa an toàn LED sẽ được tắt (11).

### **Tín hiệu âm thanh (còi)**

Khi kiểm soát được các hoạt động sau đây sẽ được báo hiệu bằng còi:

- khóa kích hoạt bình thường với một tín hiệu âm thanh ngắn.
- 3 ngắn tín hiệu âm thanh (tiếng bíp) cho tắt các điều khiển cảm ứng.

### **Chức năng hẹn giờ**

#### **Chức năng hẹn giờ thực hiện như sau:**

Chức năng hẹn giờ cho một vùng được chọn từ 1 đến 99 phút: Kết thúc chương trình cài đặt, một âm thanh sẽ được phát ra và vùng hiển thị thời gian sẽ được tắt. Tất cả ba vùng nấu có thể lập trình cho cài đặt hẹn giờ khác nhau riêng biệt. Trong phút cuối cùng của chương trình cài đặt, thời gian sẽ hiển thị (7) đếm lùi từng giây.

#### **Đặt chương trình thời gian cho vùng nấu**

Đầu tiên chọn vùng nấu bằng cách nhấn vào nút vùng được chọn tương ứng. Sau khi chọn vùng để cài đặt thời gian, nhấn tăng thời gian (9) hoặc giảm thời gian (8) để kích hoạt thời gian cho vùng nấu. Hiển thị thời gian (6) sẽ được kích hoạt cho vùng được chọn nấu và màn hiển thị sẽ hiển thị nhấp nháy 00. Sau đây, chọn cài đặt thời gian bằng cách nhấn tăng thời gian (9) và giảm thời gian (8). Nhấn giữ nút chọn để cho thời gian tăng hoặc giảm nhanh hơn.

Nếu vùng nấu không được chọn cài đặt thời gian trong vòng 5 giây, thì cài đặt thời gian sẽ bị tự động tắt.

Sau khi vùng nấu được hẹn giờ, thời gian phải được chọn trong vòng 5 giây; nếu không, chức năng

hẹn giờ sẽ tự động tắt.

Cài đặt thời gian sẽ bắt đầu 5 giây sau khi cài đặt hẹn giờ. Thời gian cài đặt có thể được thay đổi bằng cách nhấn vào nút nhấn tăng (9) hoặc giảm (8) thời gian. Cài đặt thời gian mới sẽ bắt đầu sau 5 giây khi chương trình cài đặt hẹn giờ mới được cài.

Hủy chương trình hẹn giờ bất cứ lúc nào chỉ cần nhấn cùng lúc nút tăng thời gian (9) và giảm thời gian (8). Nhấn giảm thời gian (8) cho đến khi hiển thị thời gian hiển thị “00”, cũng như là tắt chức năng hẹn giờ.

Khi thời gian hẹn giờ kết thúc, vung nấu sẽ chuyển qua chế độ tắt và đèn báo hiển thị thời gian, hiển thị thời gian đèn Led sẽ sáng liên tục trong khi đó âm thanh cảnh báo sẽ báo trong 1 phút. Để hủy bỏ âm thanh báo hẹn giờ kết thúc, nhấn một nút bất kỳ trên bảng điều khiển cảm ứng.

### **Nồi nấu (Hình 3)**

Chọn nồi phù hợp, đặc biệt bếp từ phù hợp hơn nếu nồi đáy phẳng và dày, nồi có từ tính.

Nồi có đường kính tương tự như với đường kính từ ở bếp đảm bảo khai thác tối đa công suất khi nấu.

Nồi nhỏ làm giảm đi công suất nấu, nhưng không gây ra bất kỳ tổn thất công suất cho bếp. Dù sao đi nữa chúng tôi khuyên bạn không nên sử dụng nồi có đường kính nhỏ hơn 13 cm.

Nồi bằng thép không gỉ với nhiều lớp hoặc đáy bằng thép không gỉ thích hợp cho bếp từ, nồi tráng men không nên sử dụng vì có thể làm xước lớp men. Chúng tôi khuyên bạn không nên sử dụng bất kỳ thủy tinh hay gốm sứ, đất nung, nhôm, đồng hoặc nồi không có từ tính.

### **Bảo trì**

Bất kỳ giấy nhôm, thực phẩm, chất béo, đường hoặc thực phẩm có hàm lượng đường cao còn lại phải được ngay lập tức bị loại bỏ khỏi bề mặt bếp để ngăn chặn nguyên nhân tiềm năng gây thiệt hại bề mặt bếp.

Sau khi rửa sạch với khăn và sản phẩm tẩy rửa thích hợp, rửa sạch lại bằng nước và lau khô bằng một miếng vải sạch. Nên dùng bọt biển hoặc vải mềm. Tránh sử dụng các chất tẩy rửa mạnh như bình xịt và tẩy nhanh.

### **Hướng dẫn lắp đặt**

#### **Lắp đặt**

Hướng dẫn lắp đặt dành cho các kỹ thuật viên kỹ thuật, thực hiện thay thế và bảo trì theo luật pháp và các tiêu chuẩn hiện hành. Các hoạt động này phải luôn được thực hiện khi thiết bị đã kết nối được với nguồn điện.

#### **Vị trí (hình 4,5 và 6)**

1. Mặt trước
2. Mặt trước

Bếp được thiết kế đặc biệt cho việc lắp vào rập cắt đá như thể hiện trong hình tương ứng. Đặt đại lý niềm phong cung cấp dọc theo chu vi bếp nấu ăn. Trong trường hợp bạn lắp đặt, hãy chắc chắn những điều sau đây:

- Bếp được trang bị một hệ thống làm mát thích hợp
- Không có rò rỉ không khí nóng từ lò nướng về phía bếp

#### **Kết nối điện (hình 7)**

Trước khi thực hiện các kết nối điện, hãy đảm bảo rằng:

- Dây kết nối phải phù hợp theo tem thông số được đặt ở dưới đáy bếp.

- Bếp cần được trang bị với kết nối đất hiệu quả, theo các tiêu chuẩn và các quy định pháp luật hiện hành.

## **BACH HOP KITCHEN APPLIANCES CO., LTD.**

### **Showroom:**

279 Nguyen Van Troi Street, Ward 10, Phu Nhuan District, HCM City

Tel: (84) 8 39975 893 / 94

Hotline: 1800 12 12

Fax: (84) 8 38447 102

Email: info@malloca.com

### **Customer Care:**

Hotline: 1800 12 12

Email: chamsockh@malloca.com

## **CÔNG TY TNHH THIẾT BỊ NHÀ BẾP BÁCH HỢP**

### **Showroom:**

279 Đường Nguyễn Văn Trỗi, Phường 10, Quận Phú Nhuận, TP.HCM

Điện Thoại: (84) 8 39975 893 / 94

Hotline: 1800 12 12

Fax: (84) 8 38447 102

Email: info@malloca.com

### **Hệ thống chăm sóc khách hàng:**

Hotline: 1800 12 12

Email: chamsockh@malloca.com

### **Trung tâm chính**

279 Đường Nguyễn Văn Trỗi, Phường 10, Quận Phú Nhuận, TP.HCM

SĐT: (08) 39975 893 / 94 – (08) 39975 294 / 95

### **Khu vực Bà Rịa Vũng Tàu**

258-260A Lê Hồng Phong, Phường 4, TP. Vũng Tàu

SĐT: (064) 385 94 99

### **Khu vực Tây Nguyên**

331 Phan Đình Phùng, Phường 2, TP. Đà Lạt

SĐT: (063) 3521 107 – 0918226362

### **Khu vực Nam Trung Bộ**

08 Lê Hồng Phong, Phường Phước Hải, TP. Nha Trang

SĐT: (058) 3875 488

### **Khu vực Miền Tây**

180 Trần Hưng Đạo, Phường An Nghiệp, Quận Ninh Kiều, TP. Cần Thơ

SĐT: (0710) 373 2035

### **Khu vực Miền Trung**

211 Nguyễn Văn Linh, Phường Vĩnh Trung, Quận Thanh Khê, TP. Đà Nẵng

SĐT: (0511) 369 1906

### **Khu vực Miền Bắc**

154 Thái Hà, Phường Trung Liệt, Quận Đống Đa, Hà Nội

SĐT: (04) 35376 288 – 093 462 92 98