

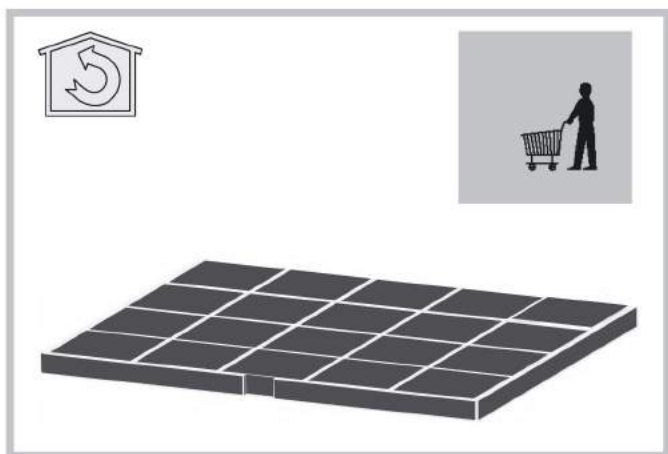
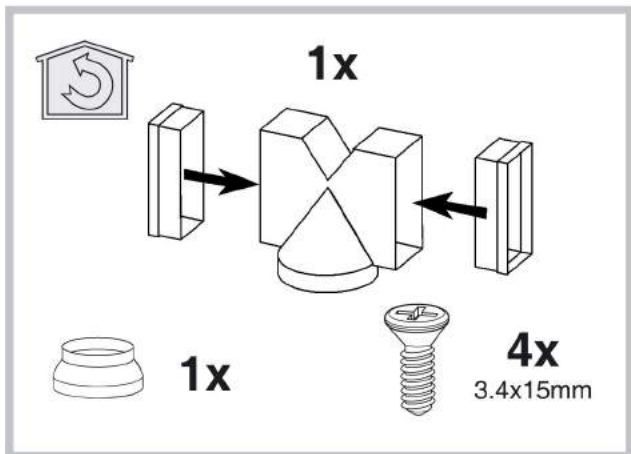
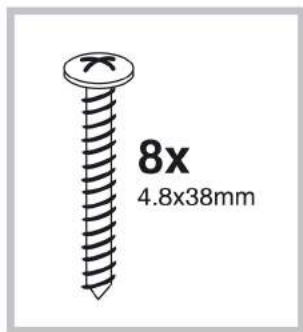
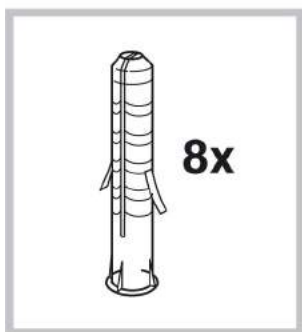
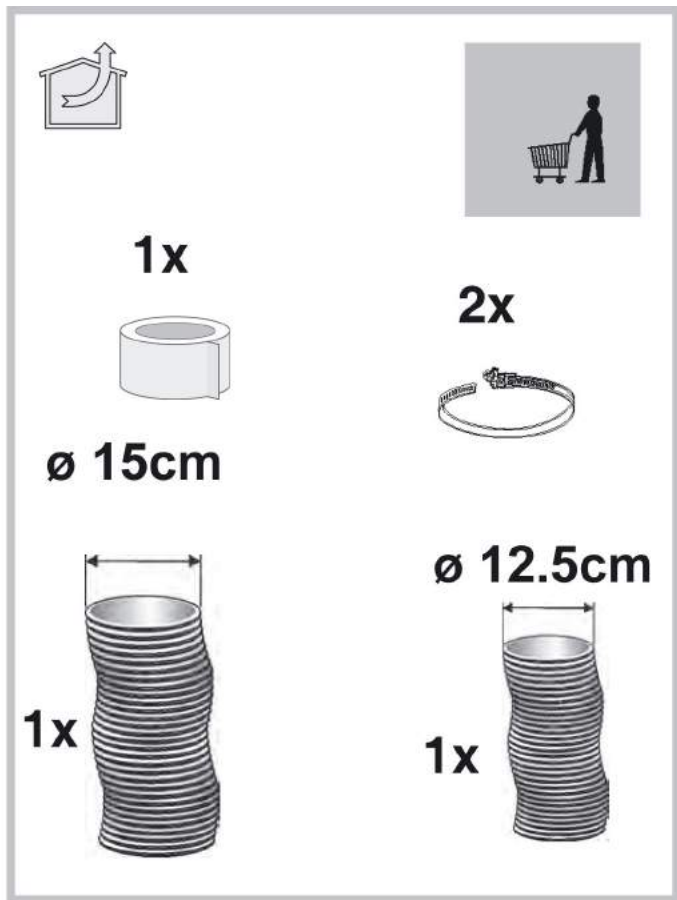
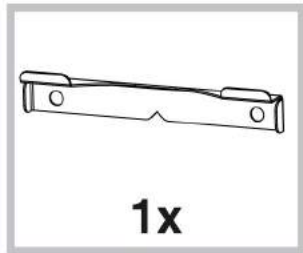
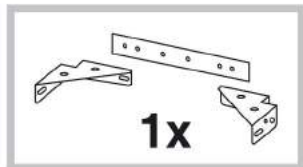
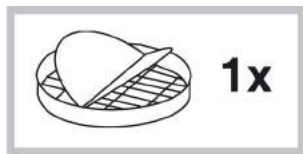
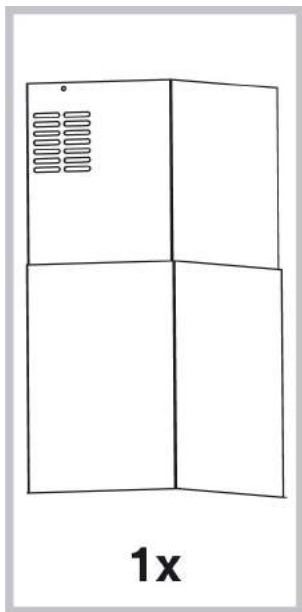
# MALLOCA

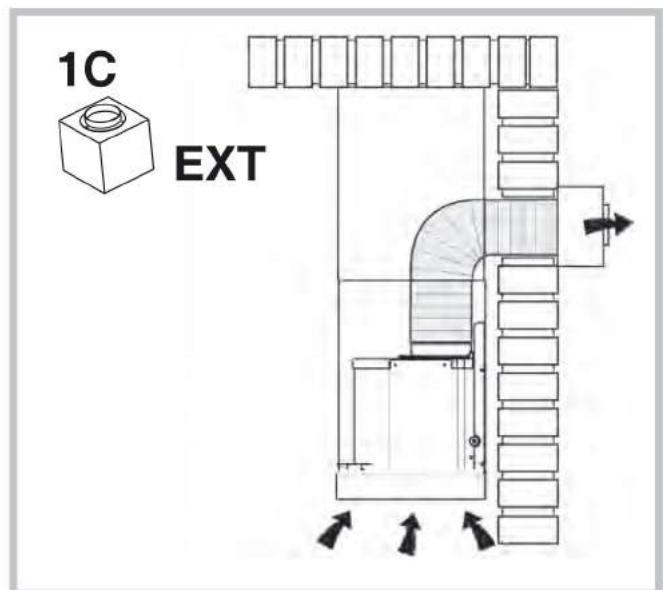
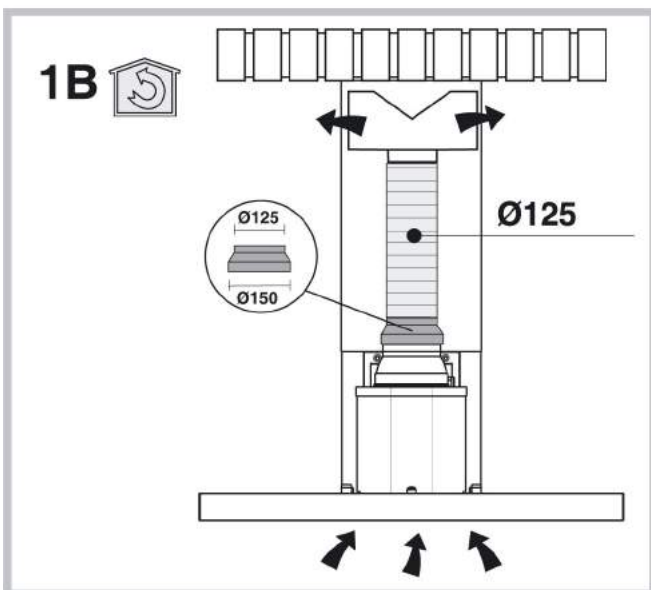
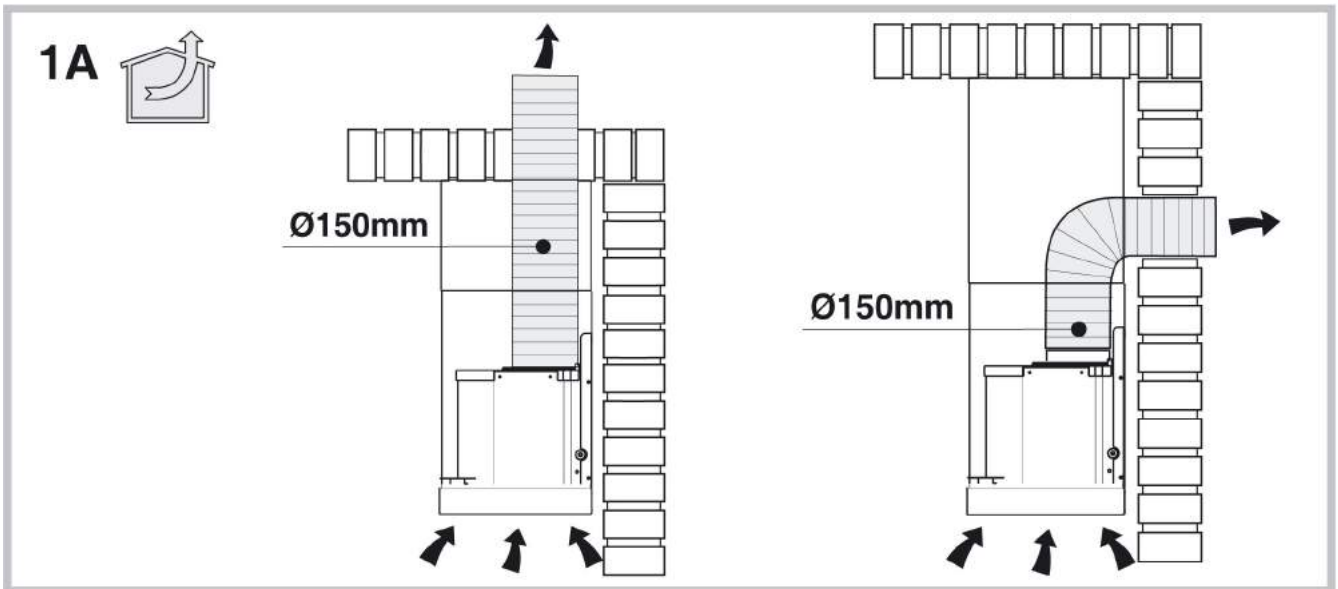
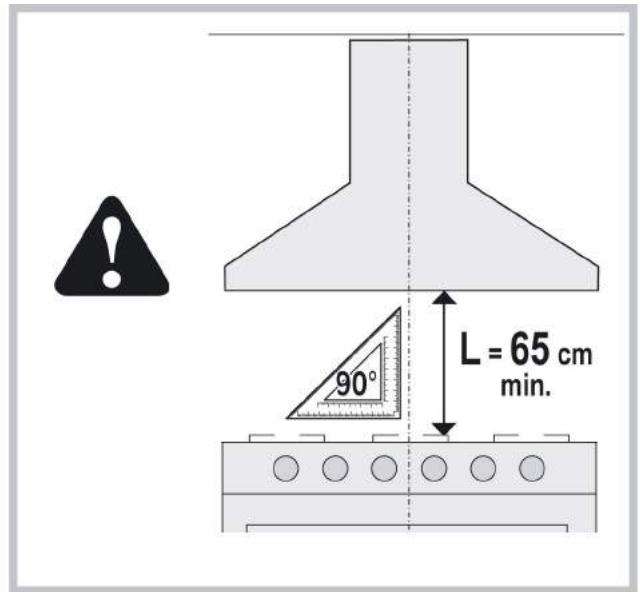
## COOKER HOOD

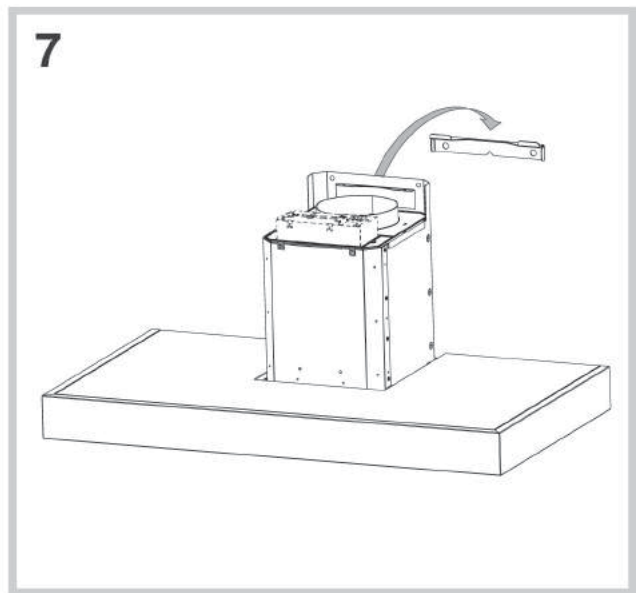
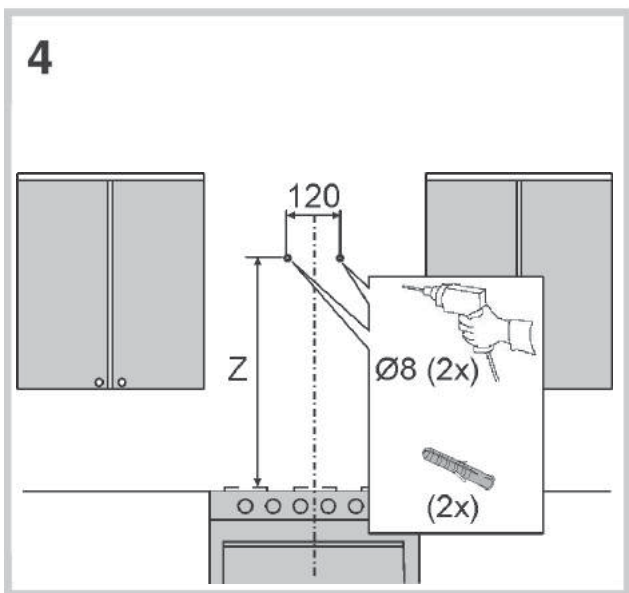
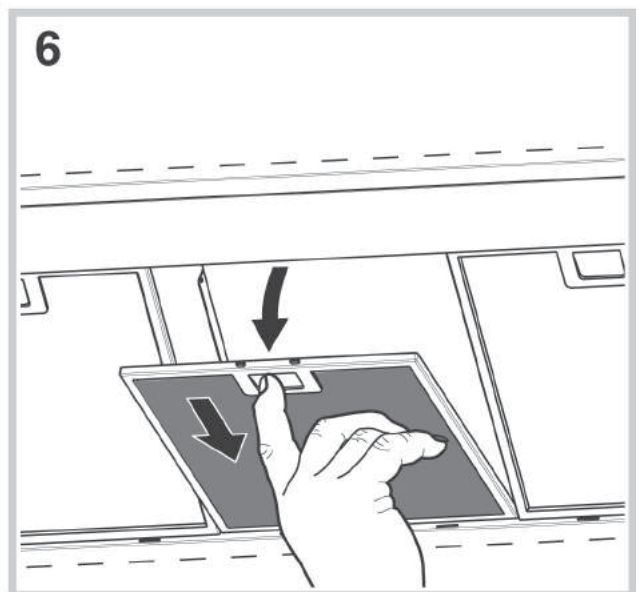
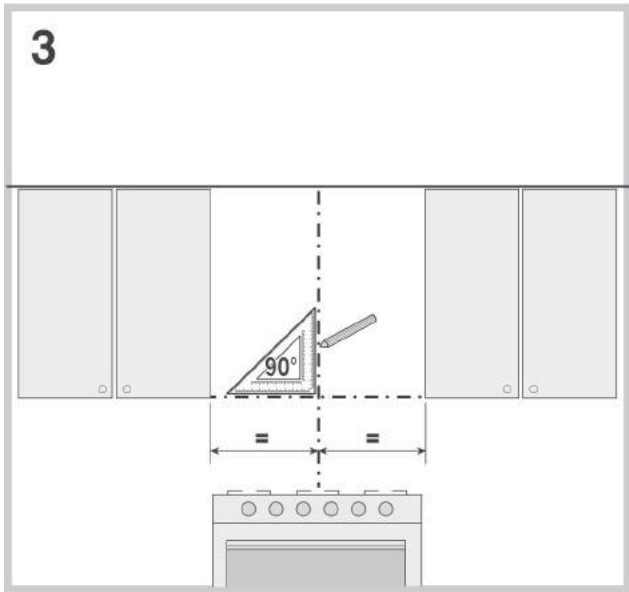
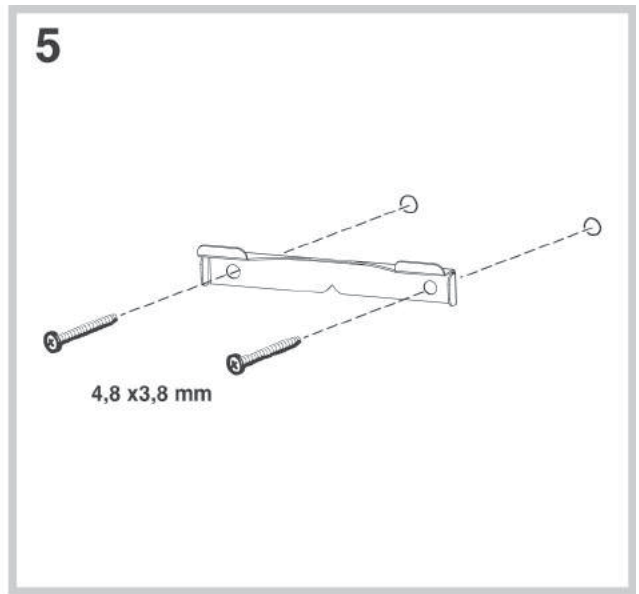
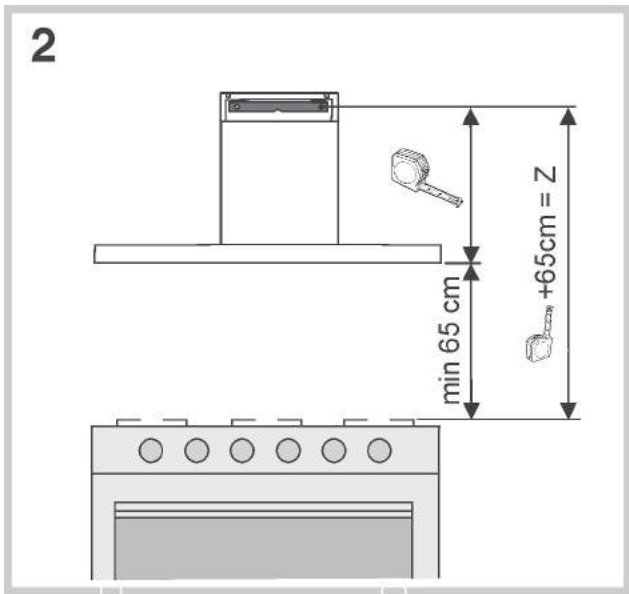
### INSTRUCTION MANUAL

**Model No: DELTA-K890V**

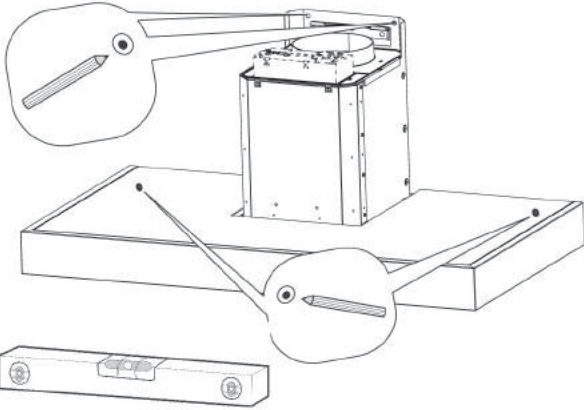
[www.malloca-shop.com](http://www.malloca-shop.com)



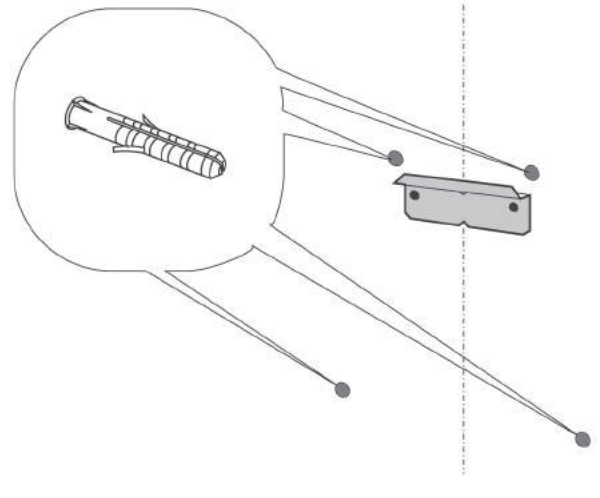




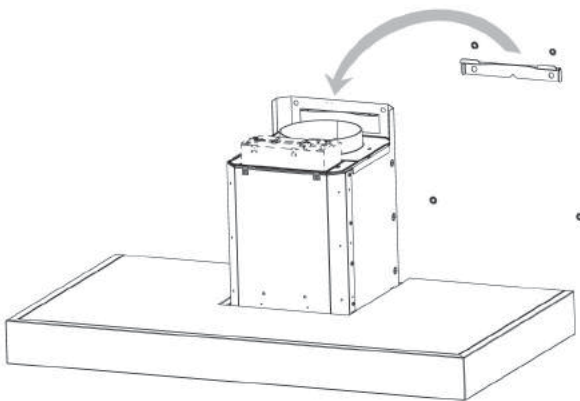
8



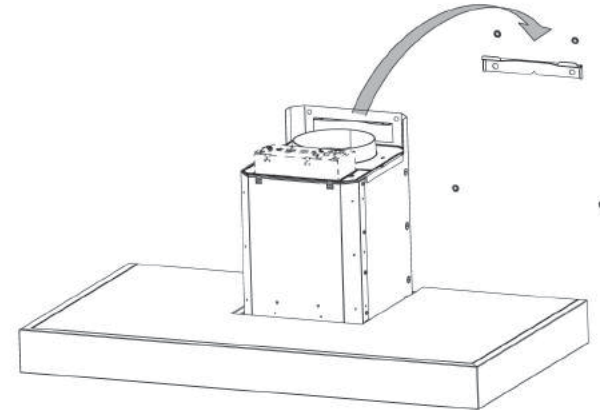
11



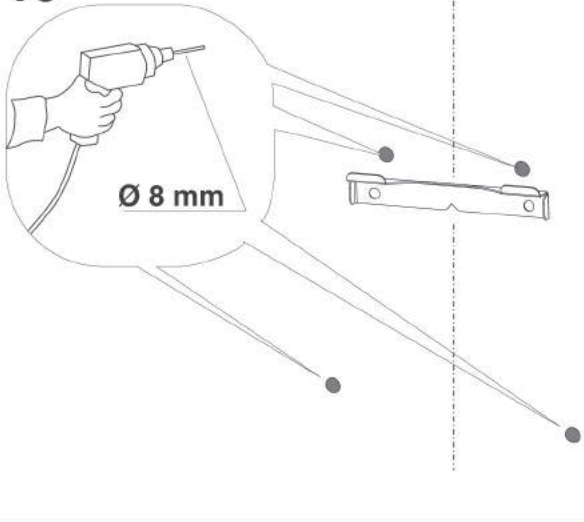
9



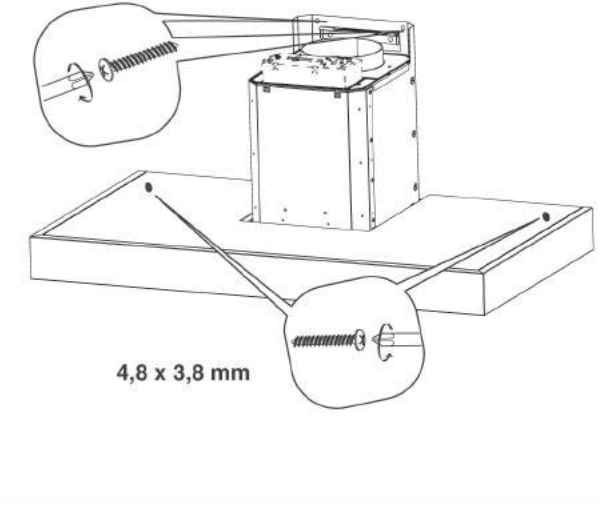
12



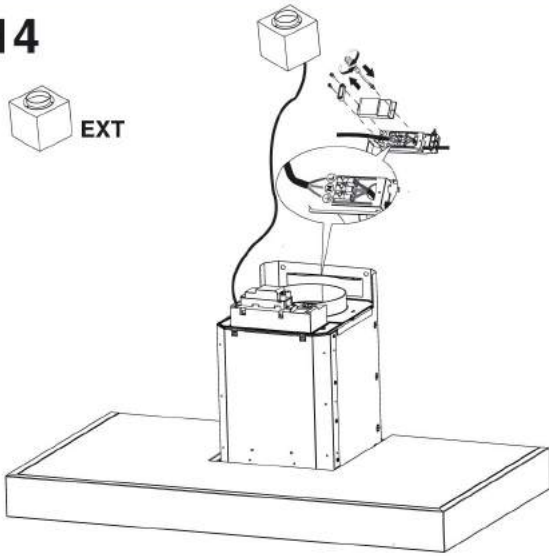
10



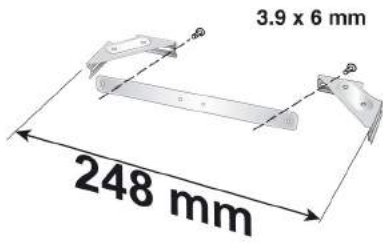
13



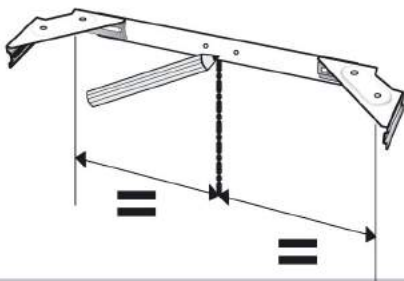
14



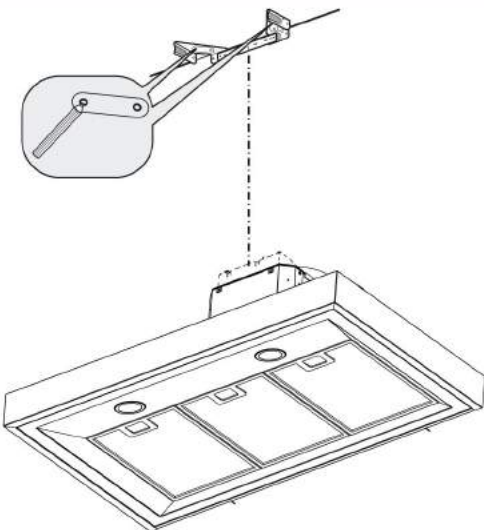
15



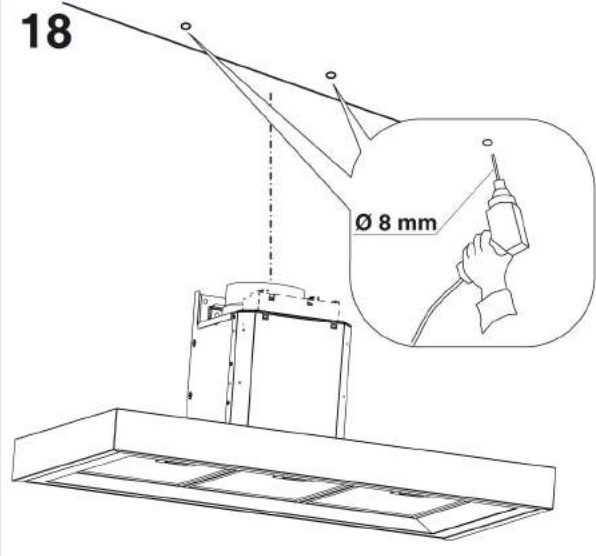
16



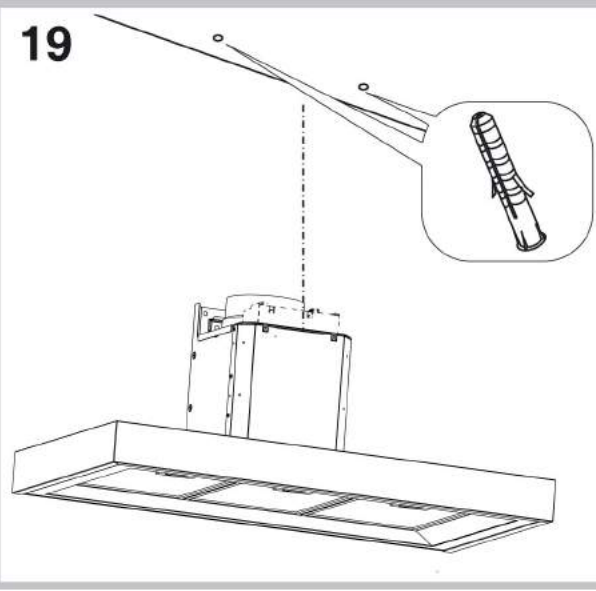
17



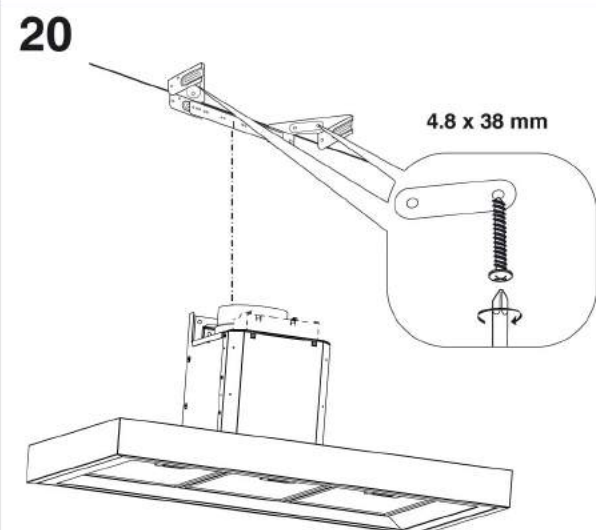
18



19

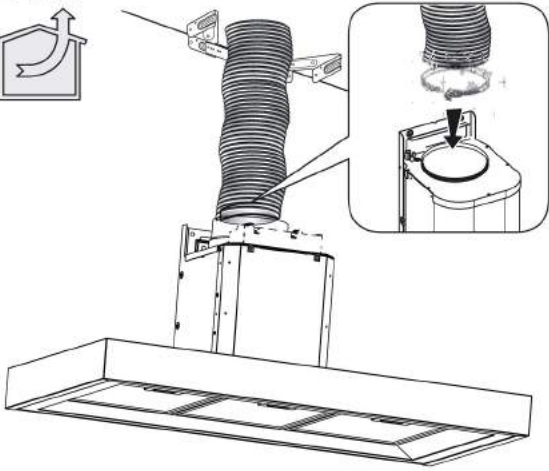


20

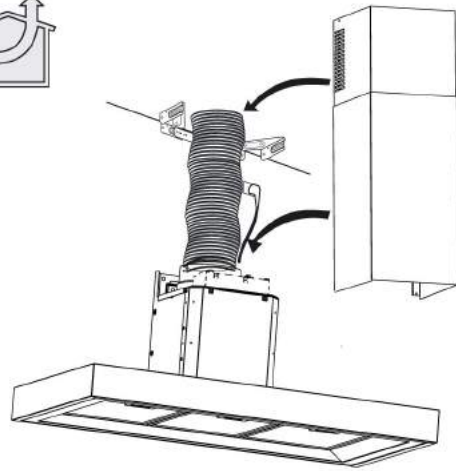




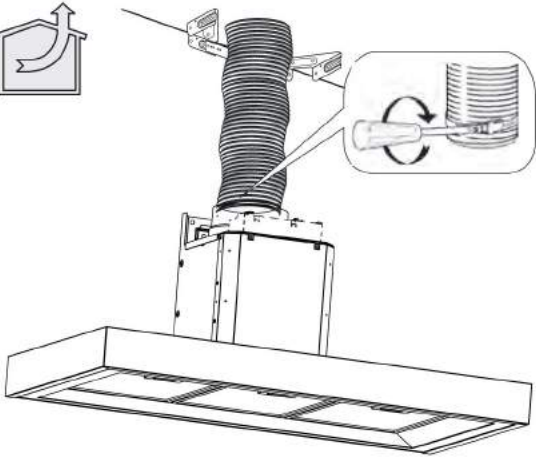
21A



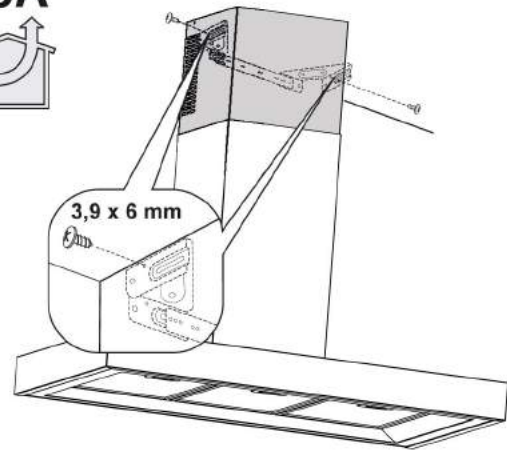
24A



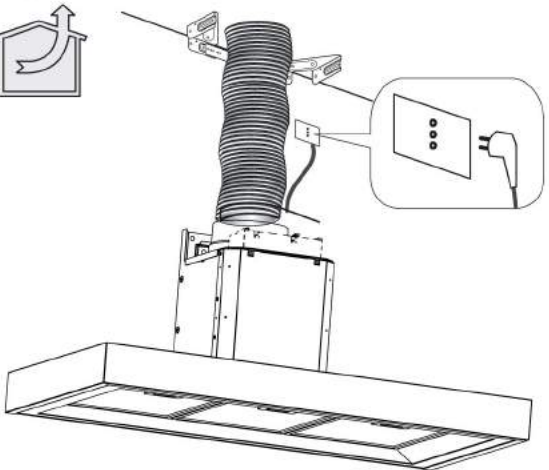
22A



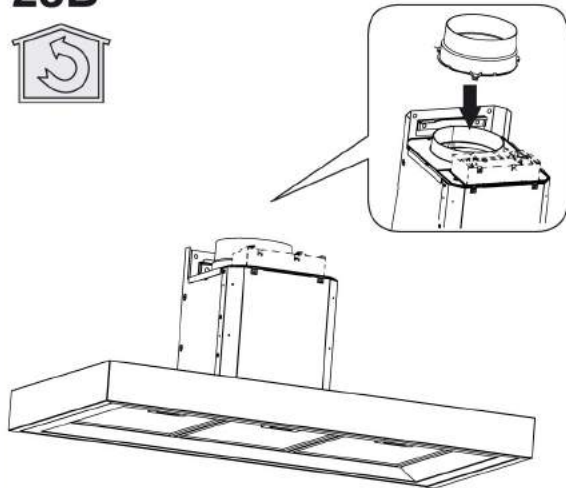
25A



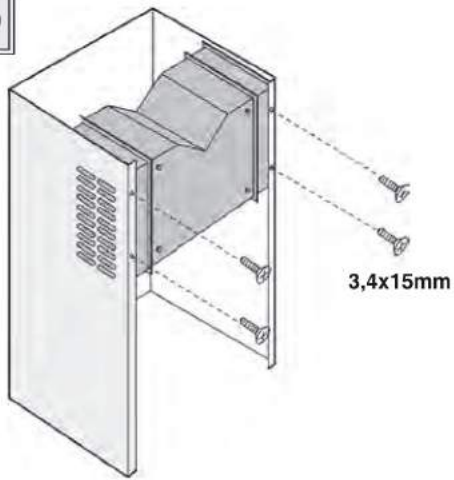
23A



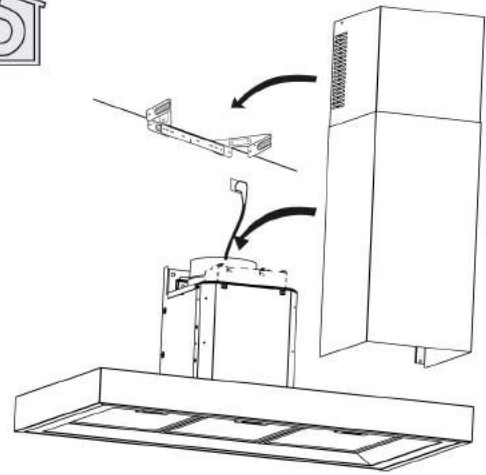
23B



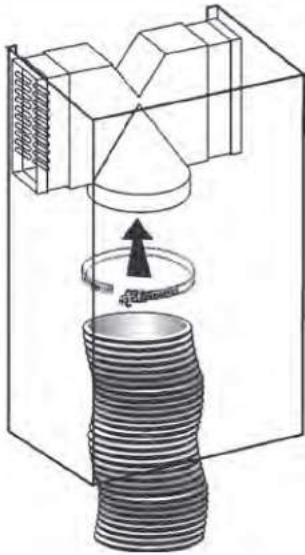
24B



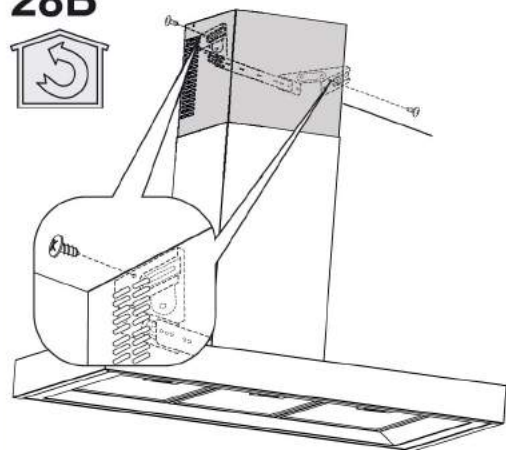
27B



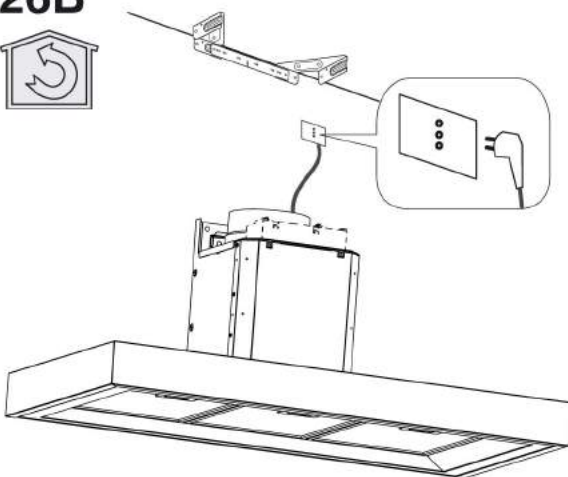
25B



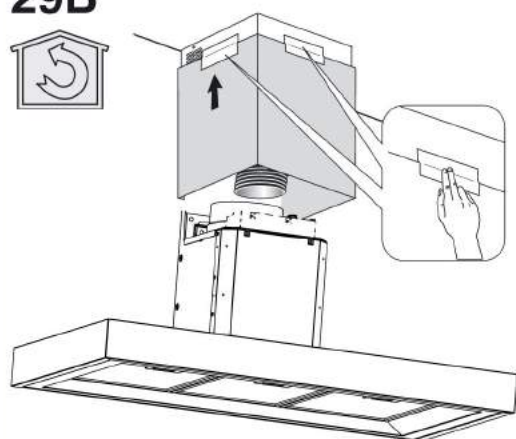
28B



26B

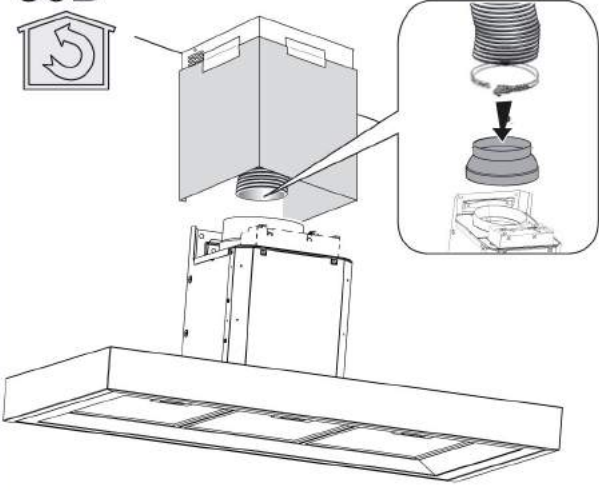


29B

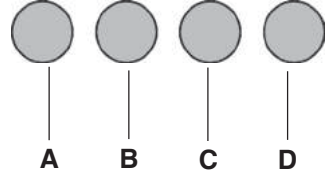




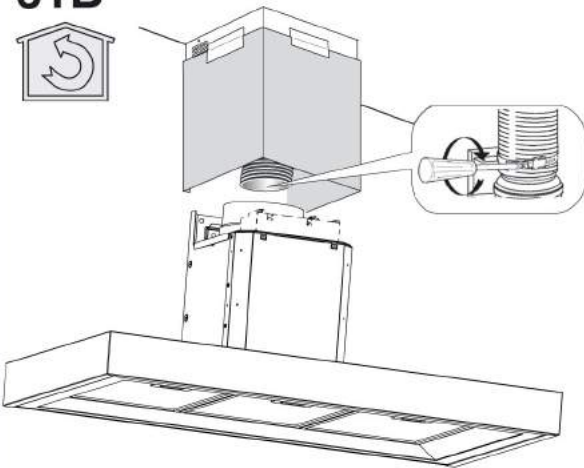
**30B**



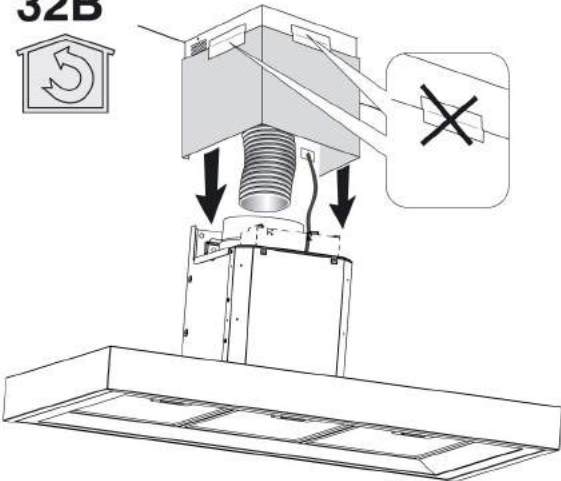
**33**



**31B**




**32B**



# English

**! The appliance must be installed by a qualified person in compliance with the instructions provided.**

 Wear gloves when carrying out installation and maintenance operations.

If the supply cord is damaged, it must be replaced by the manufacturer, its service agent or similarly qualified persons in order to avoid a hazard.

Warning: Failure to install the screws or fixing device in accordance with these instructions may result in electrical hazards.

The hood can look different to that illustrated in the drawings in this booklet. The instructions for use, maintenance and installation, however, remain the same.

## AIR VENT

(for ducting versions)

- ! Prepare the hole and the air vent duct (150 mm diameter).
- ! Use a duct of the minimum indispensable length.
- ! Use a duct with as few elbows as possible (maximum elbow angle: 90°).
- ! Avoid drastic changes in the duct cross-section.
- ! Use a duct with an as smooth as possible inside.
- ! The duct must be made of certified material.
- ! Do not connect the hood to smoke exhaust ducts for the products of combustion (boilers, fireplaces, stoves, etc).
- ! For the air vents comply with the provisions laid down by the competent authorities.  
In addition, the air must not be evacuated through a hole in the wall unless specifically intended for this purpose.
- ! Fit air intakes in the room to prevent the hood from creating a negative pressure in the room (which must not exceed 0.04 mbar); if the hood is used at the same time as non-electrical equipment (gas-, oil- and charcoal-fired stoves, etc.) the exhaust gas may be sucked in by the heat source.

## FILTERING OR DUCTING VERSION?

The hood may be in filtering or in ducting version. Decide from the outset which type is to be installed.

For better efficiency, we recommend installing the hood in the ducting version (if possible).



Ducting version

The hood purifies the air and evacuates it to the outside through an exhaust duct (diameter 150 mm).



Filtering version

The hood purifies the air and recycles the clean air back into the room. For this version, the following are required: 1 air baffle, 1 reducer, 1 charcoal filter. The upper flue air evacuation slots must be positioned at the top.

### Only for hoods equipped with electronic control:

The 4th speed (intensive) is automatically lowered to 3rd speed after 5 minutes of operation to optimise energy consumption; in hoods with voltage 120V/60Hz this function is not active and the 4th speed is indicated by the letter **b** (Booster).

- If the hood is left on (lights and/or motor), after 10 hours in the absence of commands from the user, it will automatically switch to OFF condition with all services switched off. In hoods with voltage 120V/60Hz this function is not active.

- The Buzzer emits a "beep" each time that a command is set from the keyboard or remote control (optional).

- In the event of interruption of power during the hood, if you restore the hood in the OFF state, then the engine must be reactivated manually.

**Only for hoods equipped with infrared sensor controls:** The unit is equipped with infrared sensor controls that, if exposed to direct sunlight may not work properly; use curtains or other devices to shield the sunlight.

## CONTROLS

Controls of Fig. 33

Key A: light switch.

Key B: first speed motor ON/OFF switch.

Key C: second speed switch.

Key D: third speed switch.

## MAINTENANCE

! Before cleaning or maintenance cut the power.

### Cleaning the hood

**WHEN TO CLEAN IT:** clean it at least every 2 months to prevent the risk of fire.

**EXTERNAL CLEANING:** use a cloth moistened in lukewarm water and neutral detergent (for painted hoods); use specific products for steel, copper or brass hoods.

**INTERNAL CLEANING:** use a cloth (or brush) soaked in denatured ethyl alcohol.

**WHAT NOT TO DO:** do not use abrasive or corrosive products (e.g. metal sponges, brushes, too hard brushes, very aggressive detergents, etc.)

### Cleaning the grease filters

**WHEN TO CLEAN IT:** clean it at least every 2 months to prevent the risk of fire, in according to use.

**HOW TO REMOVE THE FILTERS:** push the catch near the handle towards the rear of the hood and pull the filter downwards

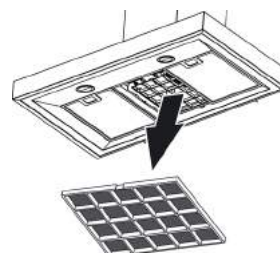
**HOW TO CLEAN THE FILTERS:** hand wash or in the dishwasher using a neutral detergent. If washing in the dishwasher, possible discoloration of the filters does not in any way compromise their functioning.

### Replacing the charcoal filter

(for filtering version only)

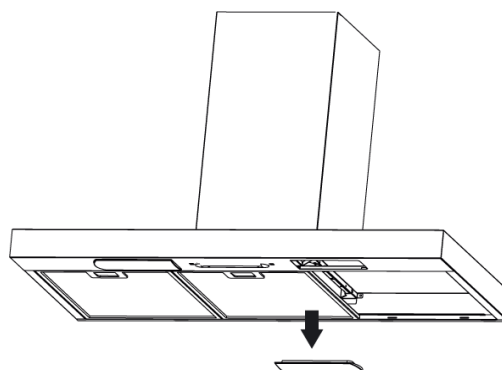
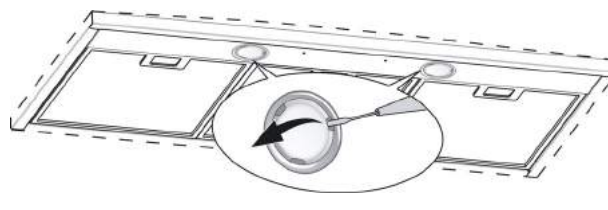
**WHEN TO REPLACE IT:** replace it at least every 6 months, in according to use.

**HOW TO REMOVE IT:** If using the hood in the filtering version, the charcoal filter will have to be replaced. To switch off, pull the latch inward and rotate the filter downwards.



## Lighting

Replace it with lamps of the same type; if a lamp is not listed in the table shown in the "Warning" worksheet, please contact the support center.





This appliance is marked according to the European directive 2002/96/EC on Waste Electrical and Electronic Equipment (WEEE). By ensuring this product is disposed of correctly, you will help prevent potential negative consequences for the environment and human health, which could otherwise be caused by inappropriate waste handling of this product. The symbol on the product indicates that this product may not be treated as household waste. Instead it shall be handed over to the applicable collection point for the recycling of electrical and electronic equipment. Disposal must be carried out in accordance with local environmental regulations for waste disposal. For more detailed information about treatment, recovery and recycling of this product, please contact your local city office, your household waste disposal service or the shop where you purchased the product.

## MALFUNCTIONS

If something appears not to be working properly, do the following simple checks before calling Technical Service:

- **The hood is not working**

Possible cause (1): Power cord not securely plugged in.

Correction: The hood was never electrically connected by the installer. Call the electrician/installer.

Possible cause (2): A speed has not been selected.

Correction: Select a speed in the control panel.

If the hood has turned off during normal functioning, check that the power has not been disconnected and that the omnipolar disconnection device has not tripped.

- **The blower does not work but the lights do**

Possible cause: The blower motor connector is not plugged.

Correction: Locate the blower motor connector and plug it. Check to see if the fan now works. If the problem persists, call Technical Service.

- **The hood is not operating effectively**

Possible cause: Dirty filters/baffles.

Correction: Check to be sure the filter is clean.

For ducting hood and hood with an external motor

Possible cause (1): Ducting requirements inadequate. If your duct length exceeds the manufacturer's requirements, hood performance will suffer. Air-flow will also be reduced if the house duct work is too small or there are too many elbows in the system.

Comply with the official instructions provided by the competent authorities in merit when installing the disposal duct (example, the air collected must not be conveyed into a duct already used to central heatings systems, thermosiphons, etc.). The room contains air taps. Contact your installer.

Possible cause (2): Obstruction in duct work.

Correction: make sure nothing is blocking the vent (bird nests or kinks in the duct work).

Possible cause (3): Damper blade may not be opening.

Correction: Make sure the tape is removed from the damper blades and that it swings open freely.

For filtering hood

Possible cause: the charcoal filter/s is saturated.

Correction: replace the charcoal filter/s.

- **The lamp does not work**

Light spot (LED):

If a lamp is not listed in the table shown in the "Warning" worksheet, please contact Technical Service.

Incandescent lamps:

Possible cause: The lamp or socket may be defective or a wire could be disconnected.

Correction: place the lamp in another socket; if the lamp is not working, replace with lamp of the same type; if the lamp works, the original socket may be defective or a wire may be disconnected. Call Technical Service.

Halogen lamps:

Possible cause: The lamp or socket may be defective or a wire could be disconnected.

Correction: replace with lamp of the same type. If the problem persists, call Technical Service.

- **Remote control not working (where present)**

Possible cause (1): Link lost between the remote control and the hood.

Correction: Check to see if the hood works with the control on the hood.

Remove power from the hood at the circuit breaker then reapply power.

Relink the remote control to the hood, following the instructions supplied with the remote control.

Possible cause (2): Remote battery dead.

Correction: Change the battery.

- **Vertical telescopic trolley is locked (where present)**

If all LEDs flashing, the telescopic trolley is locked. Wait 30" and press the Up/Down button to release the trolley.

If Up/down button flashing, the grease filter is not positioned correctly. Reposition properly.

If the trolley is locked, check that the cable connector is not disconnected. If the problem persists, call Technical Service.

## **MALLOCA VIETNAM COMPANY LIMITED**

### Showroom:

279 Nguyen Van Troi Street, Ward 10, Phu Nhuan District, HCM City

Tel: (84) 28 39975 893 / 94

Fax: (84) 28 38447 102 - (84) 28 38633 882

Email: [info@malloca.com](mailto:info@malloca.com)

### Customer Care:

Hotline: 1800 12 12

Email: [chamsockh@malloca.com](mailto:chamsockh@malloca.com)



Components not provided with the product